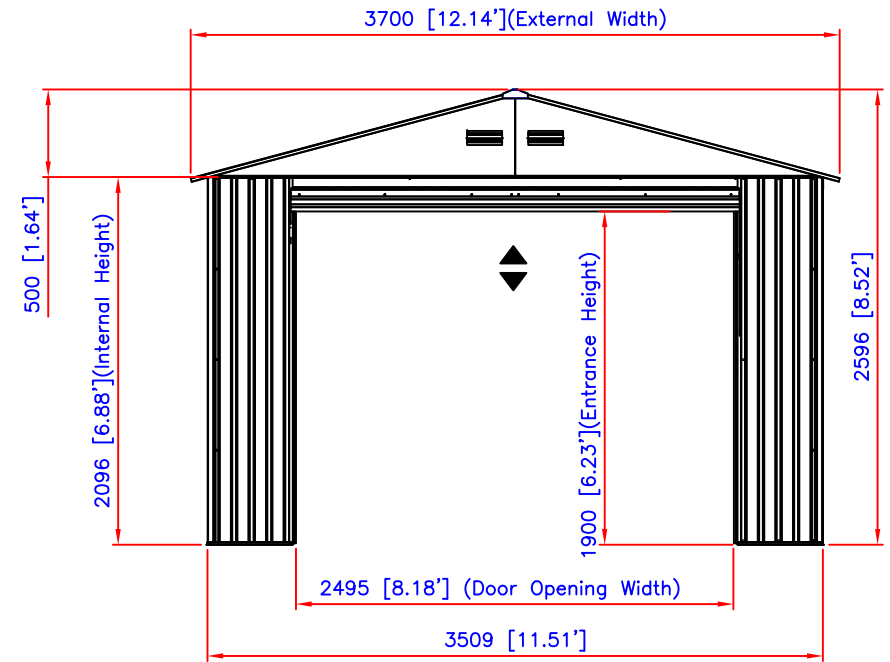
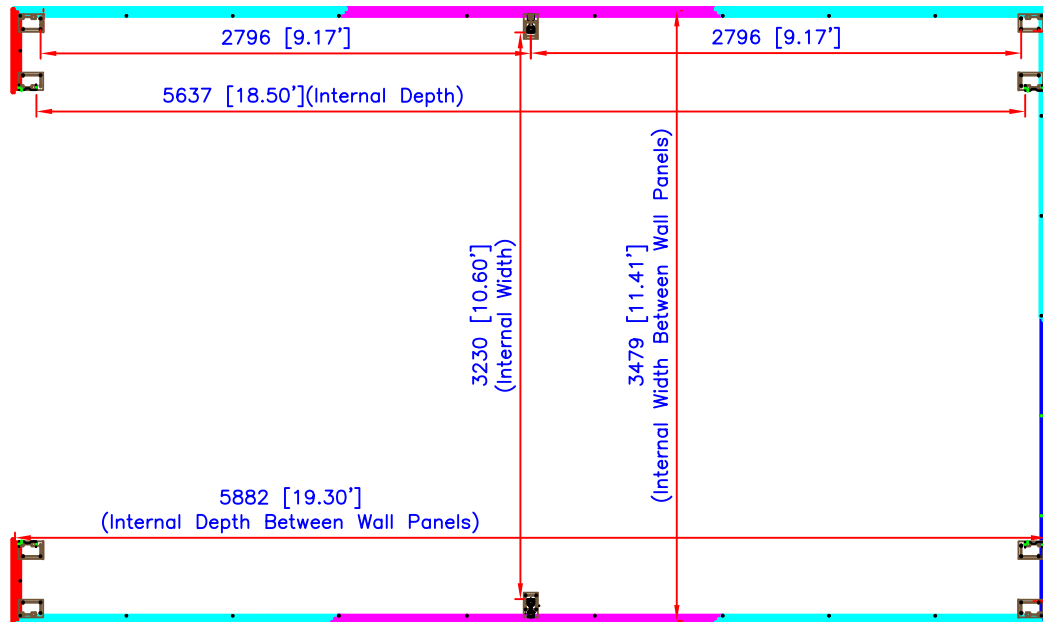


SIDE VIEW



ELEVATION



PLAN

12'x20' Metal Garage Dimensions

Note - Dimensional tolerance +5.0 mm.
-2.0