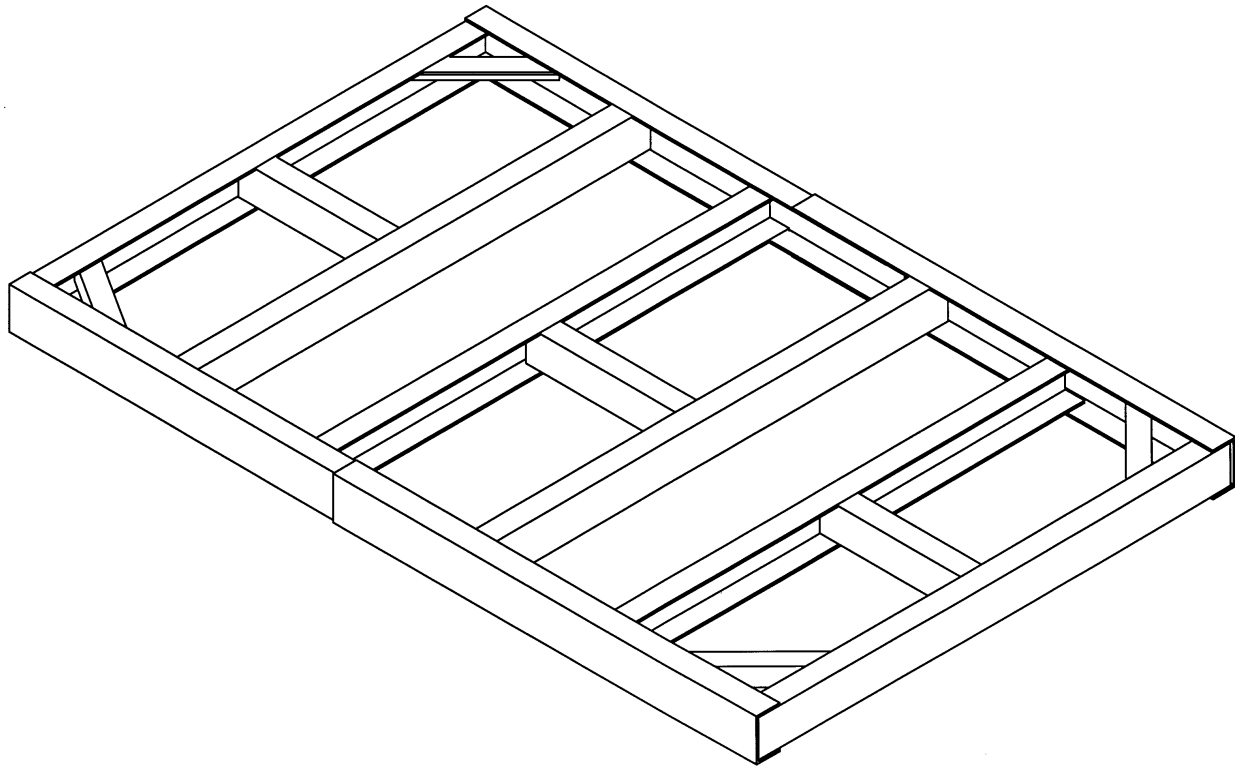


Foundation Kit

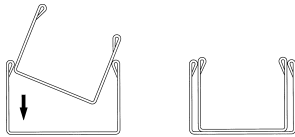
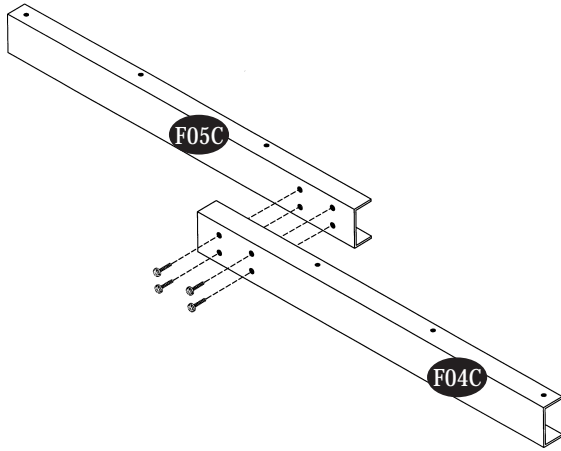
Instructions for Assembly Size 4' x 8'



TOOLS YOU WILL NEED

- Cordless Drill - Philips Head

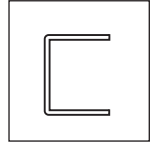
1. Assemble the channel (F04C) & (F05C) together using 4 screws. Make 2 sets.



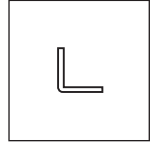
Parts List

Note: Check all parts prior to installation.

CODE	DESCRIPTION	QTY
F01C	FOUNDATION 'U' CHANNEL	6
F02C	FOUNDATION 'U' CHANNEL	3
F03	FOUNDATION 'L' ANGLE	4
F04C	FOUNDATION 'U' CHANNEL	2
F05C	FOUNDATION 'U' CHANNEL	2



'U' CHANNEL

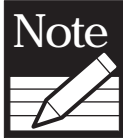


'L' ANGLE

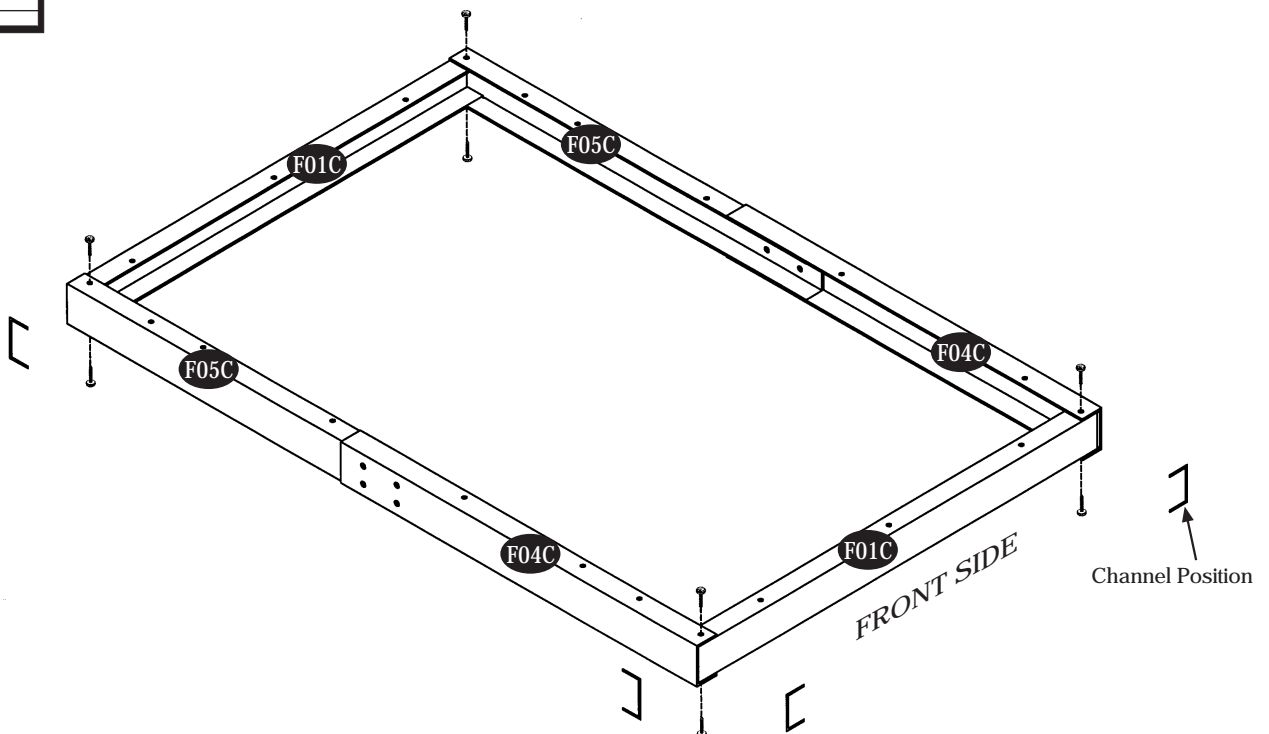
ACCESSORIES

CODE	DESCRIPTION	QTY
S1	DIA. 4.2 x 16mm. (5/32" x 5/8") SHEET METAL SCREW	52

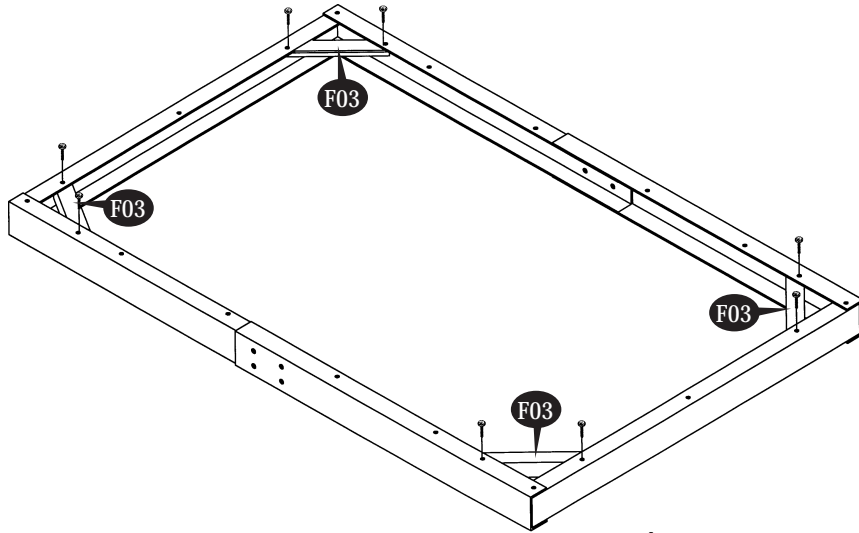
2. Make a frame with the sub assemblies as shown below.



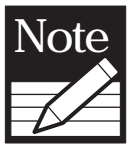
Note Make sure while assembling, the channel position should be as shown.



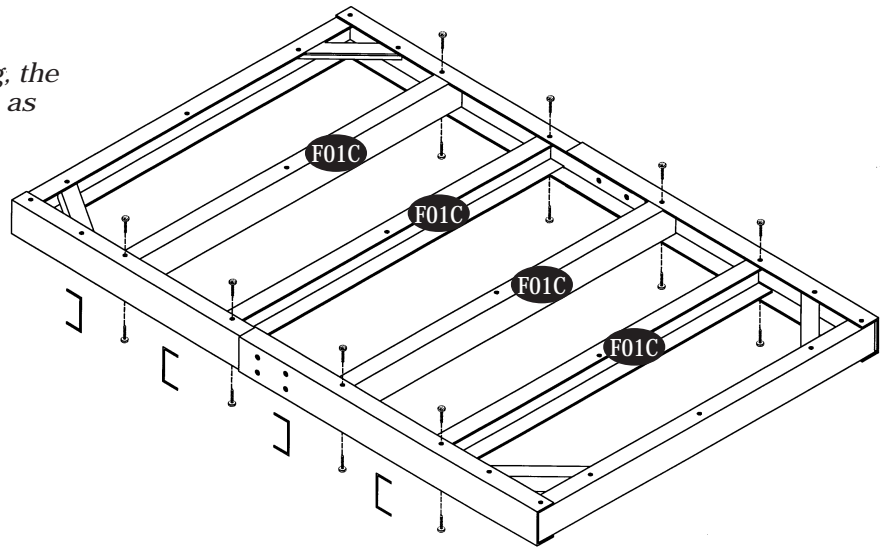
3. Fix the L-angle (F03) to the channel at all the four corners to make a perfect frame. See Fig.



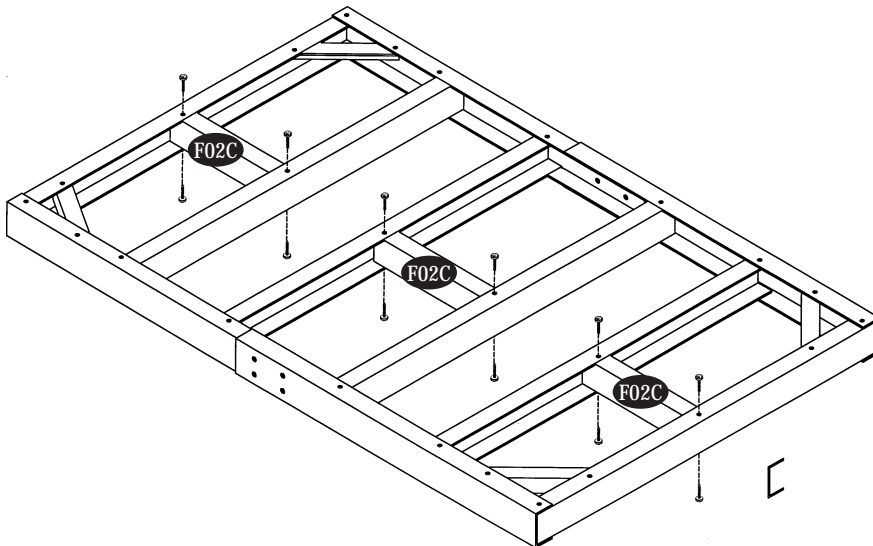
4. Fix the channel (F01C) into the main frame as shown. See Fig.



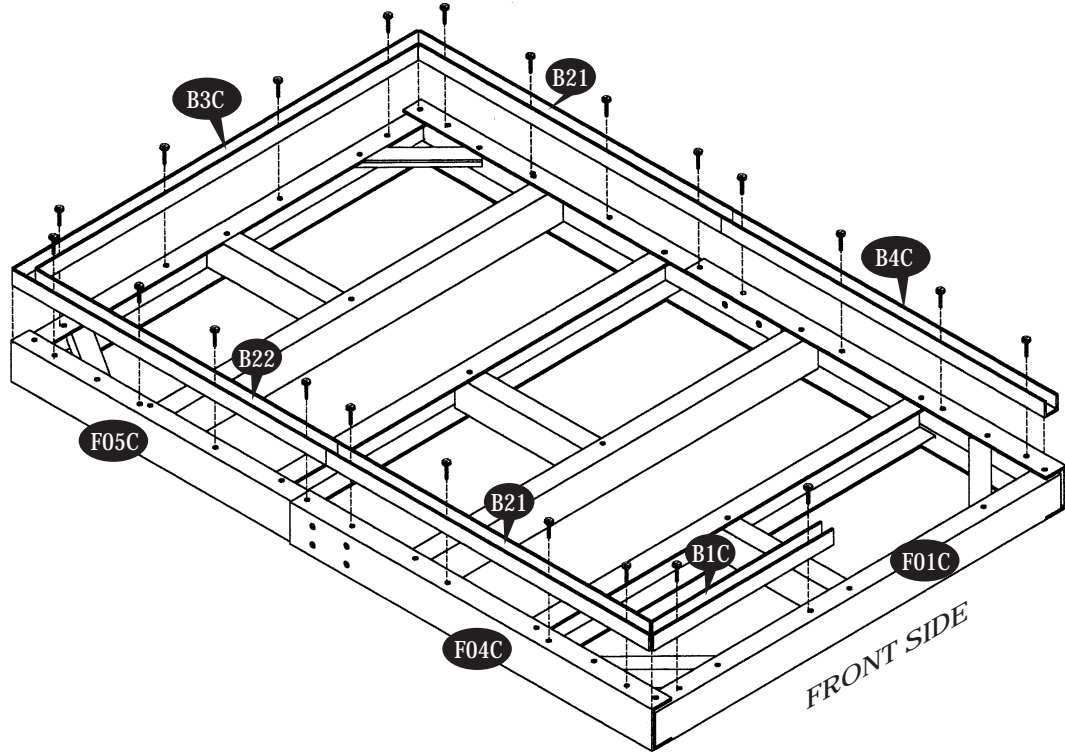
Make sure while assembling, the channel position should be as shown.



5. Fix the channel (F02C) into the frame with screws as shown. See Fig.



6. Assemble the U-Channel bases on top of the foundation as shown in Figure.



7a. After completing the assembly of shed place exterior grade CDX 3/4" (19mm) plywood inside the foundation. See fig.

OR 7b. After completing the assembly of the base U-channel fill the concrete upto the foundation top surface.

