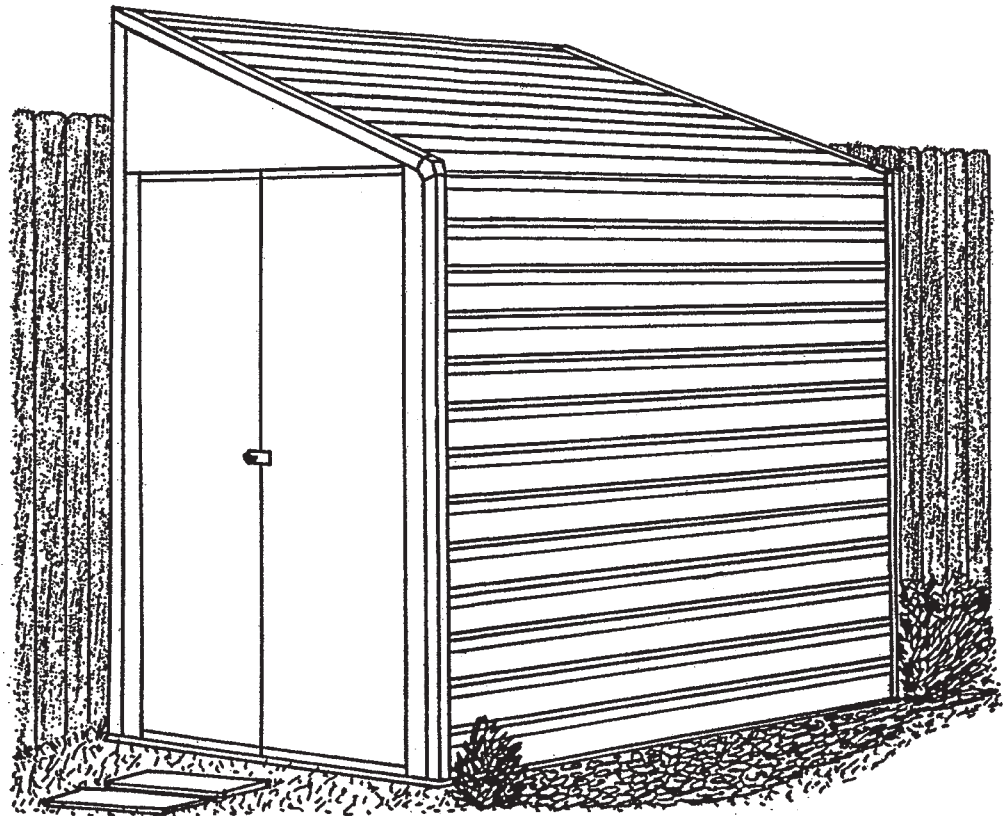


Owner's Manual & Assembly Instructions

BS1

Model No. **YS410-A**

697.68602



Missing Parts, Questions on Assembly?

Call: 1-800-851-1085

Do not return to dealer, they are not equipped to handle your requests.

707741209

Storage Area: 38 Sq. Ft. 227 Cu. Ft.
3,5 m² 6,4 m³



CAUTION: SOME PARTS HAVE SHARP EDGES. CARE MUST BE TAKEN WHEN HANDLING THE VARIOUS PIECES TO AVOID A MISHAP. FOR SAFETY SAKE, PLEASE READ SAFETY INFORMATION PROVIDED IN THIS MANUAL BEFORE BEGINNING CONSTRUCTION. WEAR GLOVES WHEN HANDLING METAL PARTS.

BUILDING DIMENSIONS * Size rounded off to the nearest foot

*Approx. Size	Base Size	Exterior Dimensions (Roof Edge to Roof Edge)			Interior Dimensions (Wall to Wall)			Door Opening	
		Width	Depth	Height	Width	Depth	Height	Width	Height
4' x 10'	50 1/2" x 116 3/4"	49"	116"	82"	47 3/4"	114"	81 1/4"	38 1/2"	60 1/4"
1,2 m x 2,9 m	128,3 cm x 296,5 cm	124,5 cm	294,6 cm	208,3 cm	121,3 cm	289,6 cm	206,4 cm	97,8 cm	153,0 cm

BEFORE YOU BEGIN....

A2

Owner's Manual

Before beginning construction, check local building codes regarding footings, location and other requirements. Study and understand this owner's manual.

Important information and helpful tips will make your construction easier and more enjoyable.

Assembly Instructions: Instructions are supplied in this manual and contain all appropriate information for your building model. Review all instructions before you begin, and during assembly, follow the step sequence carefully for successful results.

Flooring and Anchoring: Your storage building must be anchored to prevent wind damage. A base is necessary to construct a square and level building. Anchoring and base materials are not included with your building. We recommend the combined use of an **Arrow Floor Frame Kit** and an **Arrow Anchoring Kit** as an effective method of securing your building to the ground (Available by mail order or at your local dealer) or you may construct a base and anchoring system of your choice. Your assembly instructions provide information on a few methods commonly used to secure and level a storage building.

Parts and Parts List: Check to be sure that you have all the necessary parts for your building.

- All part numbers can be found on the parts. All of these numbers (before the -) must agree with the numbers on the parts list. The parts list is located on page 12.

- If you find that a part is missing, include the model number of your building and contact:

Arrow Group Industries, Inc. Customer Service Department
1101 North 4th Street Breese, Illinois 62230
1-800-851-1085

- Separate contents of the carton by the part number while reviewing parts list. The first few steps show how to join related parts to make larger sub assemblies which will be used later.

- Familiarize yourself with the hardware and fasteners for easier use during construction. These are packaged within the carton. Note that extra fasteners have been supplied for your convenience.

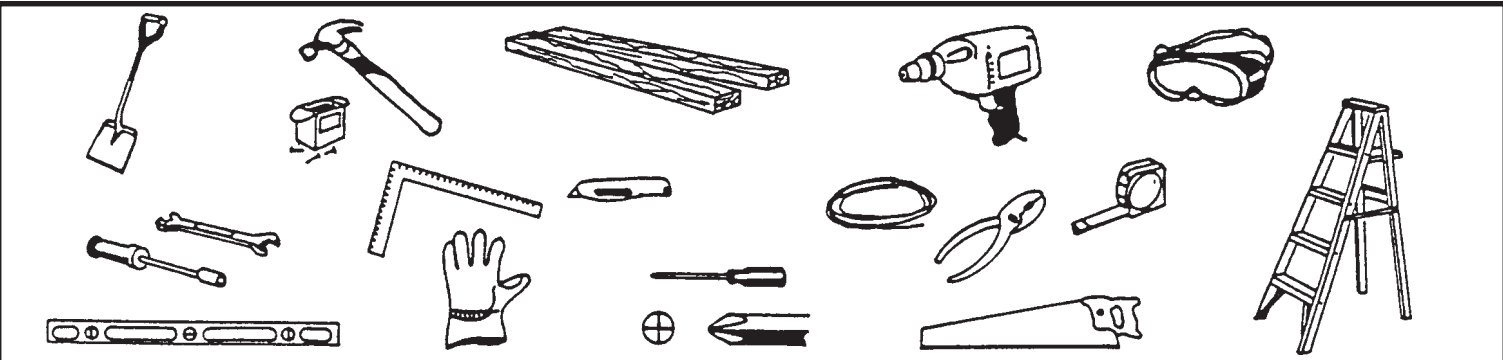
PLAN AHEAD....

A3

Watch the Weather: Be sure the day you select to install your building is dry and calm. Do not attempt to assemble your building on a windy day. Be careful on wet or muddy ground.

Teamwork: Whenever possible, two or more people should work together to assemble your building. One person can position parts or panels while the other is able to handle the fasteners and the tools.

Tools and Materials: These are some basic tools and materials you will need for the construction of your building. Decide which method of anchoring and the type of base you wish to use in order to form a complete list of the materials you will need.



<p>Required</p> <ul style="list-style-type: none"> • Eye Goggles • No. 2 Phillips Screwdriver (With Hardened Magnetic Tip) <p><small>Note: A power screwdriver or variable speed drill with Phillips-tip attachment can speed assembly by as much as 40%.</small></p>	<p>Required</p> <ul style="list-style-type: none"> • Work Gloves • Step Ladder • Utility Knife / Scissors • Pliers • Carpenter's Level • Tape Measure 	<p>Optional Time-Savers</p> <ul style="list-style-type: none"> • Wrench / Nut Driver • Electric / Cordless Drill • Square • String (for squaring frame) 	<p>Base Preparation</p> <ul style="list-style-type: none"> • Hammer and Nails • Spade or Shovel • Hand Saw / Power Saw • Lumber and/or Concrete
--	--	--	--

Selecting and Preparing Your Site: Before assembly, you will want to decide on a location for your building. The best location is a level area with good drainage.

- Allow enough working space for ease of moving parts into position during assembly. Be sure there will be enough space at entrance for doors to open fully and enough space around the building to be able to fasten the panel screws from the outside.

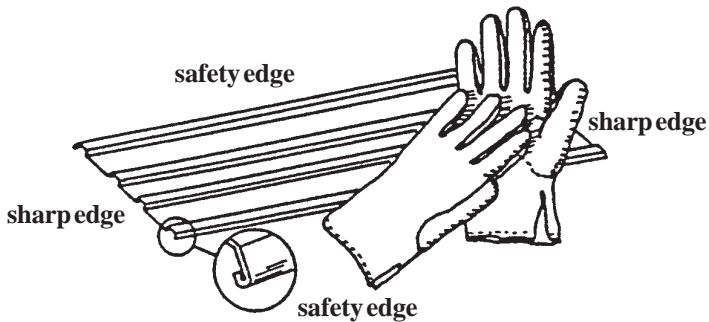
- Before you begin the first steps in assembling your parts, a base should be constructed and an anchoring system should be ready to use.

SAFETY FIRST...

A4

Safety precautions are important to follow throughout the construction of your building.

•Care must be taken when handling various pieces of your building since some contain sharp edges. Please wear work gloves, eye protection and long sleeves when assembling or performing any maintenance on your building.



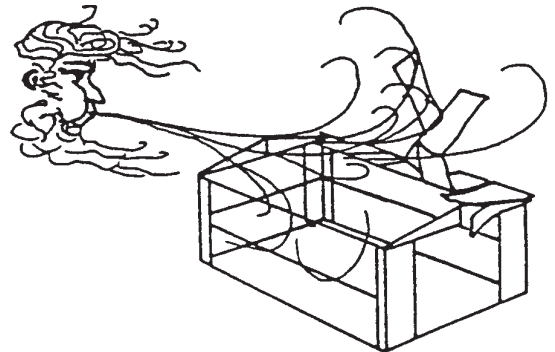
•Practice caution with the tools being used in the assembly of this building. Be familiar with the operation of all power tools.



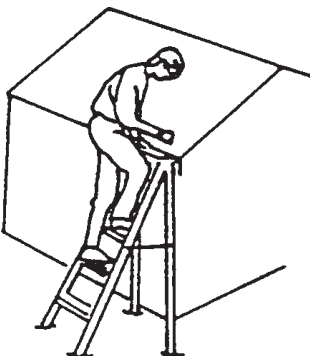
•Keep children and pets away from worksite to avoid distractions and any accidents which may occur.



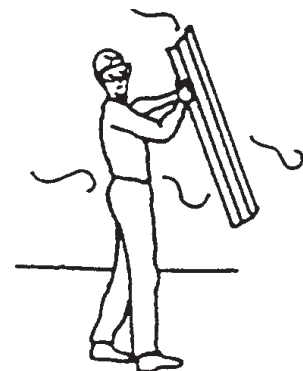
•Do not attempt to assemble the building if parts are missing because any building left partially assembled may be seriously damaged by light winds. Call 1-800-851-1085



•Never concentrate your total weight on the roof of the building. When using a step ladder make sure that it is fully open and on even ground before climbing on it.



•Do not attempt to assemble the building on a windy day, because the large panels acting as a "sail", can be whipped about by the wind making construction difficult and unsafe.



CARE & MAINTENANCE....

A5 Web

Finish: For long lasting finish, periodically clean and wax the exterior surface. Touch-up scratches as soon as you notice them on your unit. Immediately clean the area with a wire brush; wash it and apply touch-up paint per manufacturer's recommendation.

Roof: Keep roof clear of leaves and snow with long handled, soft-bristled broom. Heavy amounts of snow on roof can damage building making it unsafe to enter. In snow country, Roof Strengthening Kits are available for most Arrow Buildings for added protection against heavy snow accumulation.

Doors: Always keep the door tracks clear of dirt and other debris that prevent them from sliding easily. Lubricate door track annually with furniture polish or silicone spray. Keep doors closed and locked to prevent wind damage.

Fasteners: Use all washers supplied to protect against weather infiltration and to protect the metal from being scratched by screws. Regularly check your building for loose screws, bolts, nuts, etc. and retighten them as necessary.

Moisture: A plastic sheet (vapor barrier) placed under the entire floor area with good ventilation will reduce condensation.

Other Tips....

- Wash off inked part numbers on coated panels with soap and water.
- Silicone caulking may be used for watertight seals throughout the building.

Do not store swimming pool chemicals in your building. Combustibles and corrosives must be stored in air tight approved containers.

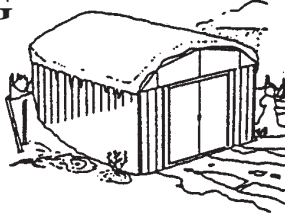
Keep this Owner's Manual and Assembly Instructions for future reference.

ACCESSORIES...

A6 WEB

ROOF STRENGTHENING (heavy snow load) KITS

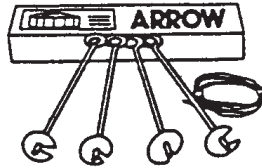
Extra roof beams and gable braces designed for added protection against heavy snow accumulation. Increases the strength of your roof by 50%.



ANCHOR KITS

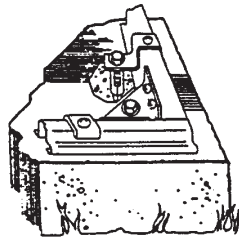
Model No. AK4

Anchor Kit contains heavy-duty steel augers, 60' (18 m) of steel cable and 4 cable clamps. No digging or concrete pouring, just insert cable under roof, over roof beams, into augers and twist augers into the ground. For buildings larger than 10'x9' (3,0 m x 2,6 m), use 2 kits.



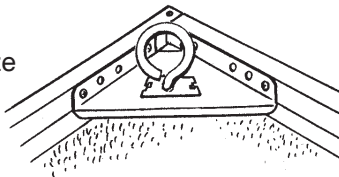
Model No. AK100

New concrete anchor system permits anchoring any size Arrow building directly to a concrete slab. Each kit contains heavy-duty, hot-dipped galvanized steel corner gussets and perimeter clips which fit over the floor frame and lag bolt into a concrete slab. Full assembly instructions and a 1/4" masonry drill bit are included.



Model No. AK600

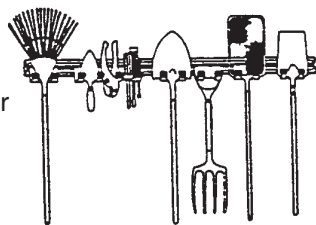
Earth Anchor Kit anchors any size Arrow building to the ground. Each kit contains heavy duty, hot-dipped galvanized steel corner gussets and 4 earth anchors.



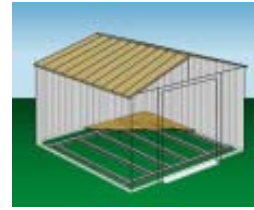
TOOL HANGING RACK

Model No. TH100

The perfect tool organizer. Twin 25 1/2" (64,8 cm) steel channels plus five heavy-duty snap-in hangers and a small tool holder for screwdrivers, pliers, etc. Holders slide along channel for fully adjustable spacing. Great for garage, basement, or the back of any door. Fits all Arrow storage buildings.



FLOOR FRAME KITS



MODELS FB47410, FB5465, FB106-A
FB109-A and FB1014-A

A simple new floor frame system made of heavy-duty, hot-dipped galvanized steel. Use as base for plywood, sand or stone.

ATTIC KIT / WORKBENCH KIT

Model No. AT101

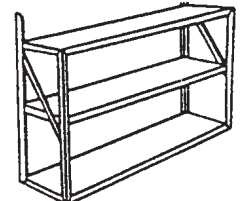
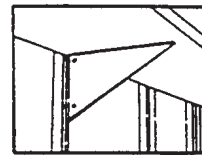
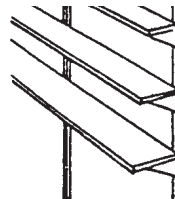
Heavy-duty galvanized steel bars that fit all 10' (3,0 m) wide Arrow buildings. They install quickly and easily to help organize space and create more useable space as an attic or workbench. Will hold up to 250 lbs. (113 kg) evenly distributed.



Some drilling required to fit buildings without mid-wall bracing.

SHELF UNITS

Heavy-duty, galvanized steel shelf units help organize storage space. They easily mount on the wall or sit on the floor. Fits all Arrow buildings.*



Model No. SS404

- Makes 8" to 12" (20,3-30,5 cm) wide shelves in any length.
- Brackets, braces, hardware included. Lumber is not included.

Model No. SS900-A

- Grey color
- 3 shelves
- Holds up to 85 lbs. (38 kg) (even weight distribution)

* Some drilling required to fit buildings without mid-wall bracing.



THIS

PAGE

WAS

LEFT

BLANK

INTENTIONALLY



THIS

PAGE

WAS

LEFT

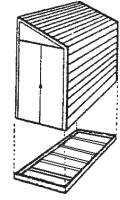
BLANK

INTENTIONALLY

Base

BS09

The Base For Your Building



OPTION 1: ARROW FLOOR FRAME KIT: (Order No. FB47410)

Arrow has the best base for your building in this simple kit. It keeps stored items above the ground. This kit should be used with one of the following:

A. To support a plywood deck **B.** To be filled with sand. We recommend the combined use of **1.** an **ARROW FLOOR FRAME KIT** and **2.** an **ARROW ANCHORING KIT** as an effective method of securing the building to the ground. **Allow 1 - 2 hours for construction.**

OPTION 2: Wood Platform

If you decide to build your own base, be sure to select the appropriate materials.

These are the recommended materials for your base:

- 2 x 4's (38 mm x 89 mm) Pressure Treated Lumber
- 5/8" (15,5 mm) 4 x 8 (1220 mm x 2440 mm) Plywood-exterior grade
- 10 & 4 penny Galvanized Nails
- Concrete Blocks (optional)

The platform should be level and flat (free of bumps, ridges etc.) to provide good support for the building. The necessary materials may be obtained from your local lumber yard.

To construct the base follow instructions and diagram.

- Construct frame (using 10 penny galvanized nails)
- Measure 16"/24" (40,6 cm/61,0 cm) sections to construct inside frame (see diagram)
- Secure plywood to frame (using 4 penny galvanized nails)

Allow 6 - 7 hours for construction.

OPTION 3: Concrete Slab

The slab should be at least 4" (10,2 cm) thick. It must be level and flat to provide good support for the frame.

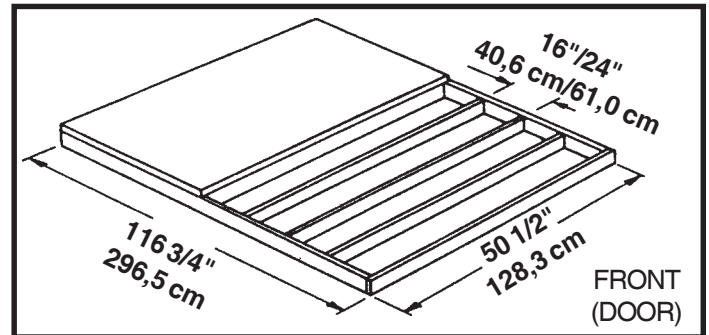
The following are the recommended materials for your base.

- 1 x 4's (19 mm x 89 mm) (will be removed once the concrete cures)
- Concrete
- Sheet of 6 mil plastic
- We recommend for a proper strength concrete to use a mix of:
1 part cement ● 3 parts pea sized gravel ● 2 1/2 parts clean sand

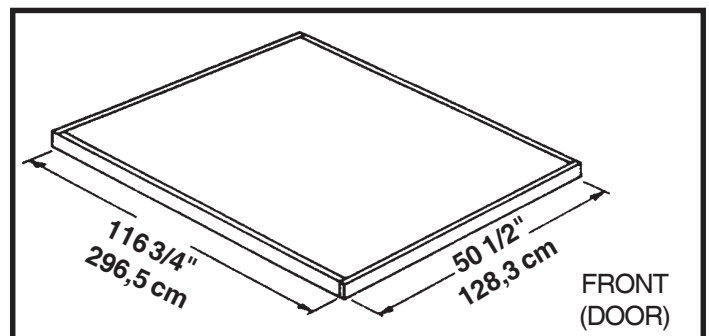
Prepare the Site/Construct a Base

1. Dig a square, 6" (15,2 cm) deep into the ground (remove grass).
2. Fill up to 4" (10,2 cm) in the square with gravel and tamp firm.
3. Cover gravel with a sheet of 6 mil plastic.
4. Construct a wood frame using four planks of 1x4 (19 mm x 89 mm) lumber.
5. Pour in concrete to fill in the hole and the frame giving a total of 4" (10,2 cm) thick concrete. Be sure surface is level.

Allow 3 - 5 hours for construction and a week for concrete curing time.



Note: Platform/Slab will extend 9/16" (1,4 cm) beyond floor frame on all four sides. Seal this 9/16" (1,4 cm) of wood with a roofing cement (not included), or bevel this 9/16" (1,4 cm) of concrete when pouring, for good water drainage.



Note: Finished Slab dimensions, with lumber removed.

Anchoring

BR10

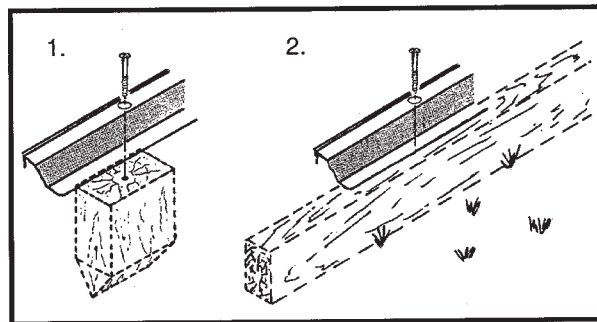
Anchoring Down The Building

It is important that the entire floor frame be anchored after the building is erected.

Below are recommended ways of anchoring.

Anchoring into Wood/Post:

Use 1/4" (6 mm) Wood Screws. There are 1/4" (6 mm) dia. holes provided in the frames for proper anchoring.



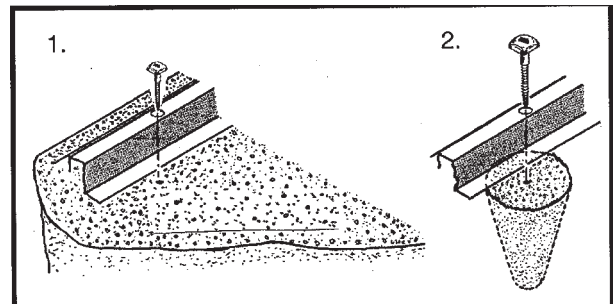
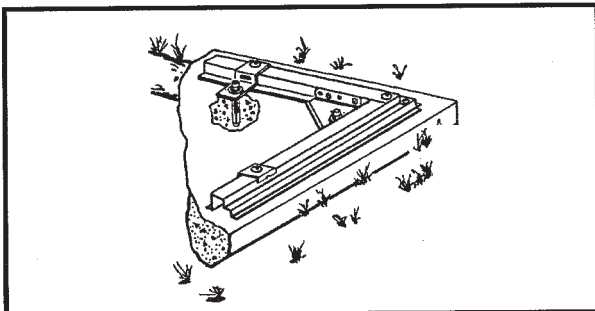
Arrow Anchoring Kit: (Model No. AK100 or 68383)

Recommended for use with the **concrete** base.

Contains: Corner gussets, perimeter clips, hardware, 1/4" masonry drill bit and installation instruction.

Anchoring into Concrete:

1. For poured concrete slab or footing or patio blocks: Use 1/4" x 2" (6 mm x 51 mm) Lag Screws.
2. For Anchor Post of Concrete poured after building is erected: Use 1/4" x 6" (6 mm x 152 mm) Lag Screws.



Hardware

BS11



65103
#8-32 Hex Nut (66)



65941
#6-32 Hex Nut (23)
(Packed with Screws)



65923
#8-32x3/8" (10 mm)
Bolt (66)



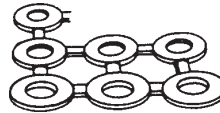
65004
#8Ax5/16" (8 mm)
Screw (302)



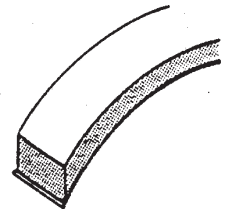
66714
#6-32x7/16" (11 mm)
Flat Hd Bolt (16)
(Packed with Screws)



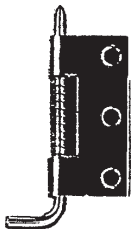
66645
#6-32x3/4" (19 mm)
Flat Hd Bolt (7)
(Packed with Screws)



66646
Washer (278)
(8 sheets of 40)



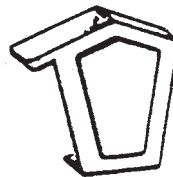
66022
Gray Foam Tape (1)



66684
Spring Latch (2)



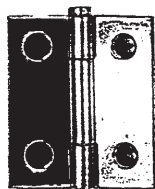
66462
Hasp (1)



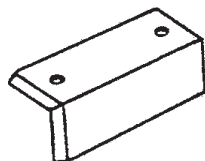
66016
Facia Cap
(1 Right and 1 Left)



66463
Swivel Staple (1)



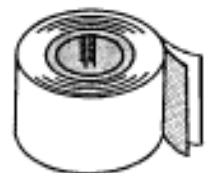
66604
Hinge (4)



66057
Trim Cap (1)



67293
Foil Tape (1)



67545
Foil Tape (1)

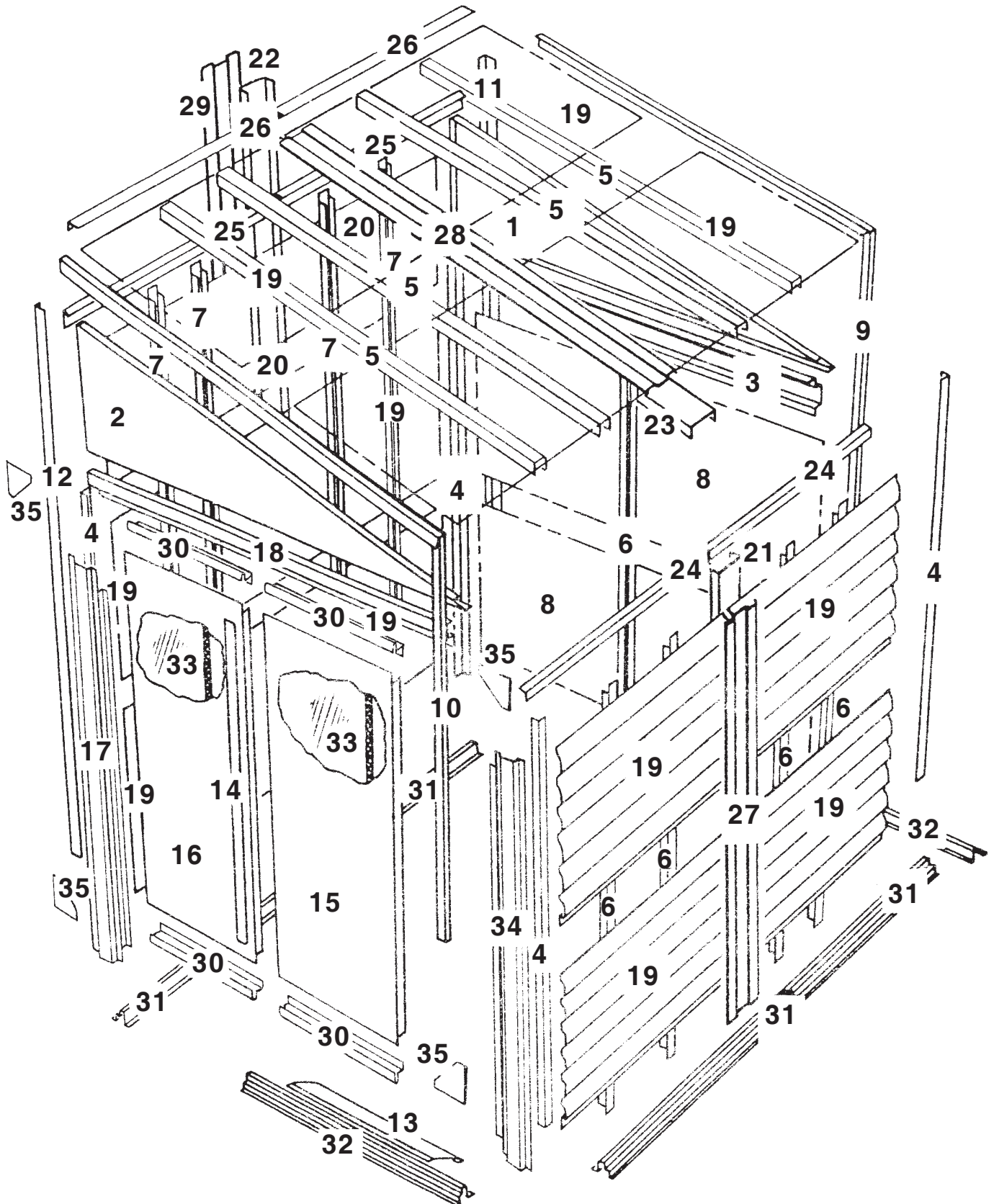
Parts List

BS12

Assembly Key No.	Part Number	Part Description	Quantity in Carton	Check List
1	8060	Right Gable	1	
2	8061	Left Gable	1	
3	8062	Rear Header	1	
4	9793	Corner Post	4	
5	8066	Roof Frame	4	
6	8067	Siding Stud - Short	5	
7	8068	Siding Stud - Long	4	
8	8075	Rear Siding - 6 Board	2	
9	8076	Right Roof Trim	1	
10	8077	Left Roof Trim	1	
11	8078	Right Wall Trim	1	
12	8079	Left Wall Trim	1	
13	9796	Ramp	1	
14	9792	Door Stop	1	
15	9788	Right Door	1	
16	9787	Left Door	1	
17	9789	Left Door Jamb	1	
18	9791	Front Header	1	
19	8431	Side Siding - 6 Board	12	
20	8432	Top Siding - 5 Board	2	
21	8433	Siding Stud - Short	1	
22	8434	Siding Stud - Long	1	
23	8435	Roof Frame	1	
24	8437	Side Eave Frame	2	
25	8438	Side Peak Frame	2	
26	8439	Peak Trim	2	
27	8440	Bottom Siding Trim	1	
28	8441	Top Siding Trim	1	
29	8442	Rear Siding Trim	1	
30	9794	Horizontal Door Brace	4	
31	8976	Side Floor Frame	4	
32	9795	Floor Frame	2	
33	67729	Foam Board	2	
34	9790	Right Door Jamb	1	
35	6481	Gusset	4	

Assembly by Key No.

BS13



Step 1

BR14

● Parts Needed For ● Door Assembly

- 9794 Horizontal Door Brace (4)
- 9788 Right Door (1)
- 9787 Left Door (1)
- 67729 Foam Board (2)

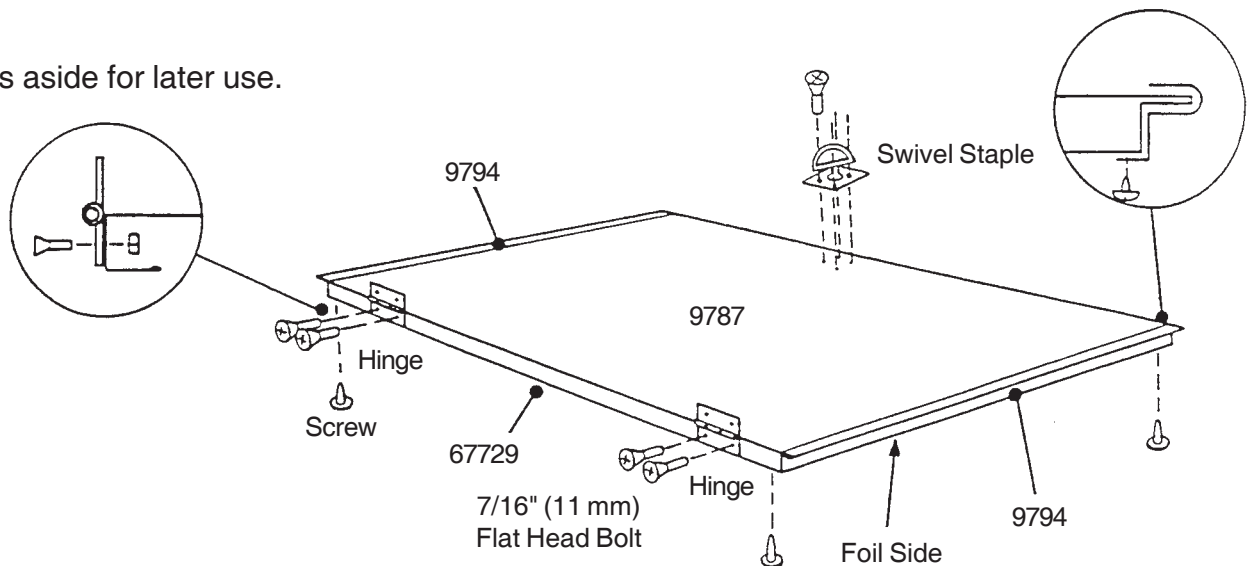
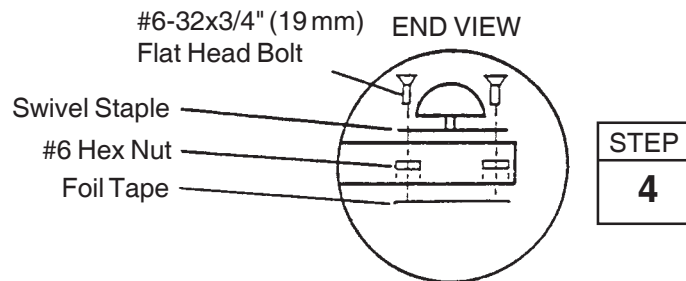
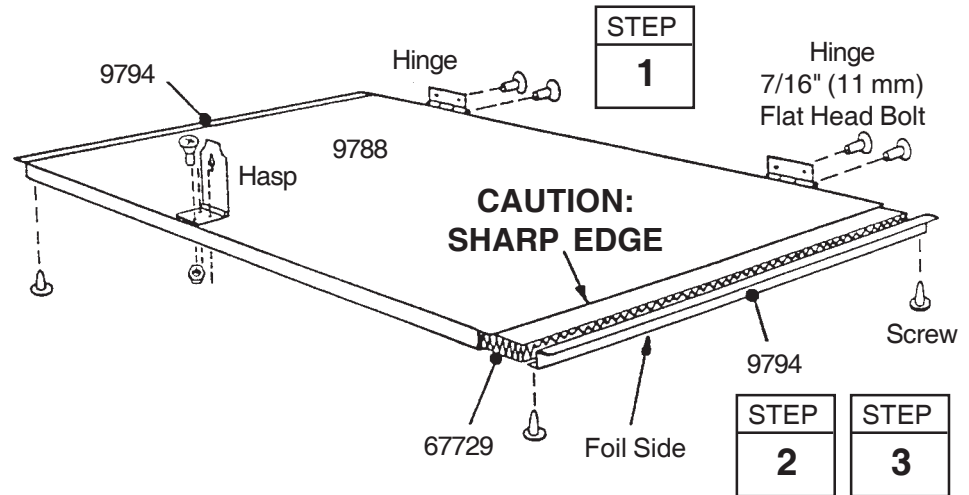
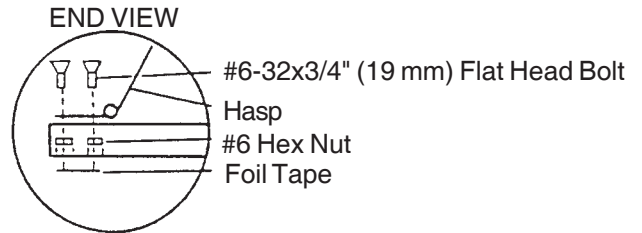
1 Position **hinges** on sides of **right and left door** panels as shown and fasten with 7/16" (11 mm) flat head bolts outside and #6 hex nuts inside.

2 Slide **foam board** into door panels, foil facing outward, equally spaced on both sides. **See caution.**

3 Cover ends of door panel with **horizontal door brace**. Edge of door panel slides into brace. Fasten braces to doors using two screws.

4 Using an awl, ice pick or nail, push holes through foam board at the hasp and staple holes. Attach **hasp** to right door and **swivel staple** to left door using 3/4" (19 mm) flat head bolts and #6 hex nuts. Tighten nuts through foam board using needle nose pliers until they are against inside of door panel. Cover holes in foam board panel with a piece of foil tape.

5 Set the doors aside for later use.



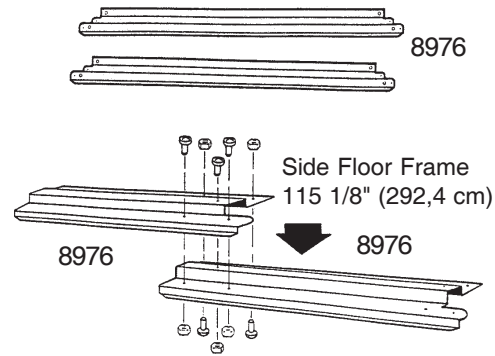
Step 2

BS15

● Parts Needed For ● Floor Frame Assembly

- 9796 Ramp (1)
- 9795 Floor Frame (2)
- 8976 Side Floor Frame (4)

1 Overlap the side floor frames as shown. The holes in these pieces will align when the pieces are positioned with correct amount of overlap. See the illustration below for the proper overall length of the side floor frames. Join the frames by inserting five bolts and nuts in each frame set as shown.

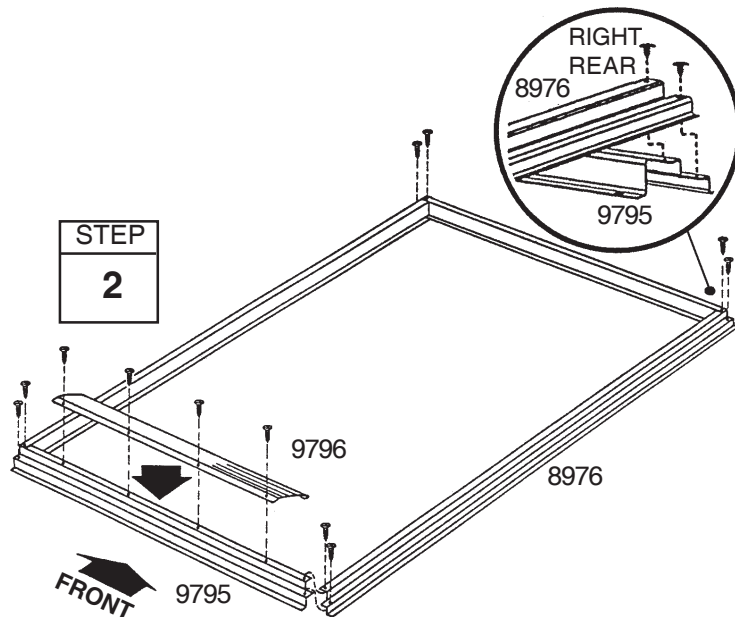


STEP
1

2 Center the ramp on top of the floor frame. **Note that the door can be installed on either end.** Join the frames by inserting four screws.

3 Assemble the four corners of the floor frame using two screws at each corner as shown.

4 Measure the floor frame diagonally. When the diagonal measurements are equal, the floor frame is square.



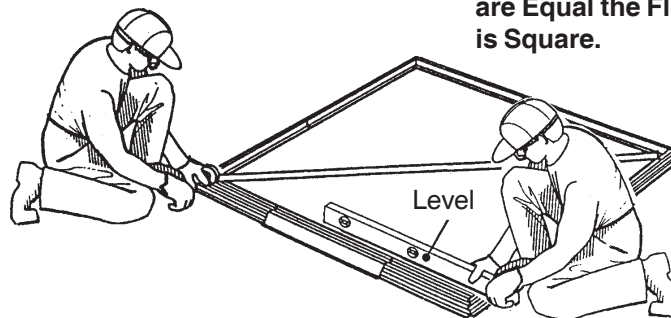
STEP
2

STEP
3

NOTE

If using a wood platform or concrete slab do not fasten the floor frames to your base at this time. You will anchor the building after it is erected.

When Diagonal Measurements are Equal the Floor Frame is Square.



STEP
4

The floor frame *must be square and level* or holes will not align.

Step 3

BR16

● Parts Needed For ● Corner Posts/Rear Siding

- 9793 Corner Post (2)
- 8075 Rear Siding (1)

NOTE

The remainder of the building assembly requires many hours and more than one person. Do not continue beyond this point if you do not have enough time to complete the assembly today. A partially assembled building can be severely damaged by light winds.

1 Fasten two **corner posts** to the rear corners of the floor frame assembly using four screws.

2 Position one **rear siding**, starting at rear frame, between corner posts and fasten with six screws. ***Always use washers under the heads of fasteners where they are shown!***

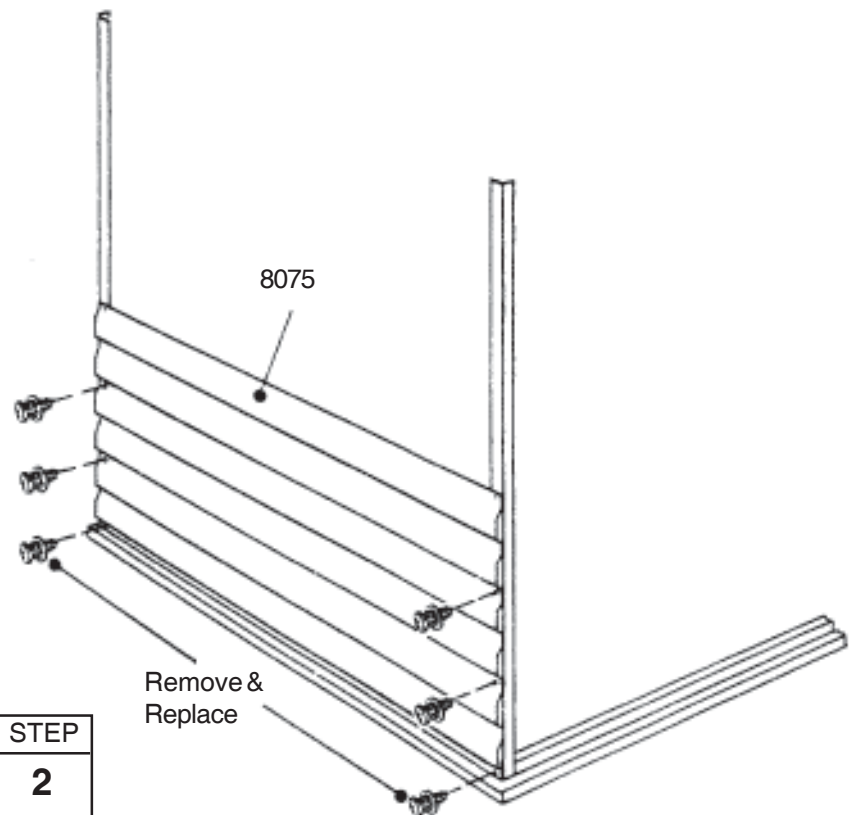
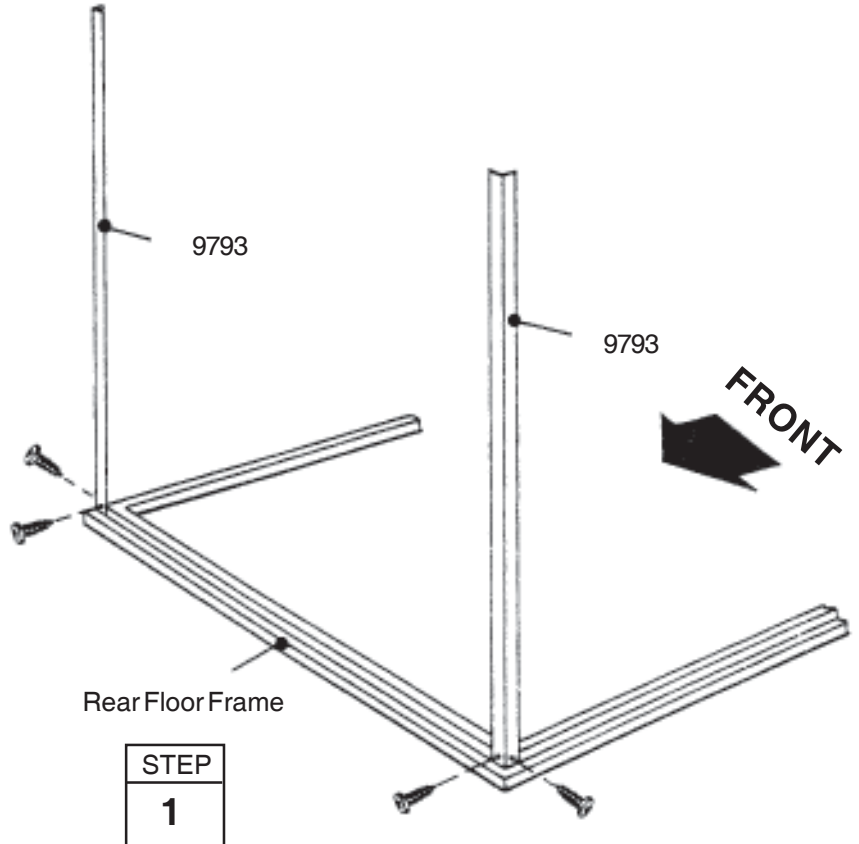


CORRECT



INCORRECT

Each siding panel has a bottom edge and a flat edge. The bottom edge always overlaps the flat edge. Keep the flat edge up. Do not fasten flat edge now.



Step 4

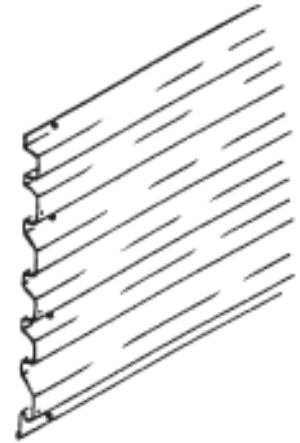
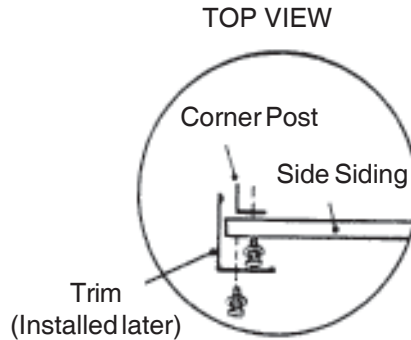
BS17

● Parts Needed For ● Corner Posts/Studs/Siding

- 6481 Gusset (4)
- 9793 Corner Post (2)
- 8433 Siding Stud (1)
- 8434 Siding Stud (1)
- 8431 Side Siding (4)

1 Attach a **gusset** to each end of the two **corner posts** using one screw.

2 Fasten one **corner post assembly** to the front corner of the floor frame assembly using two screws. Lightly fasten tab end of **siding stud** to side floor frame using two screws. **Caution!** Once corner post and stud are attached, fasten one **side siding** to the corner post and stud with fasteners shown. Repeat on rear of unit. Do not fasten flat edge now.



IMPORTANT

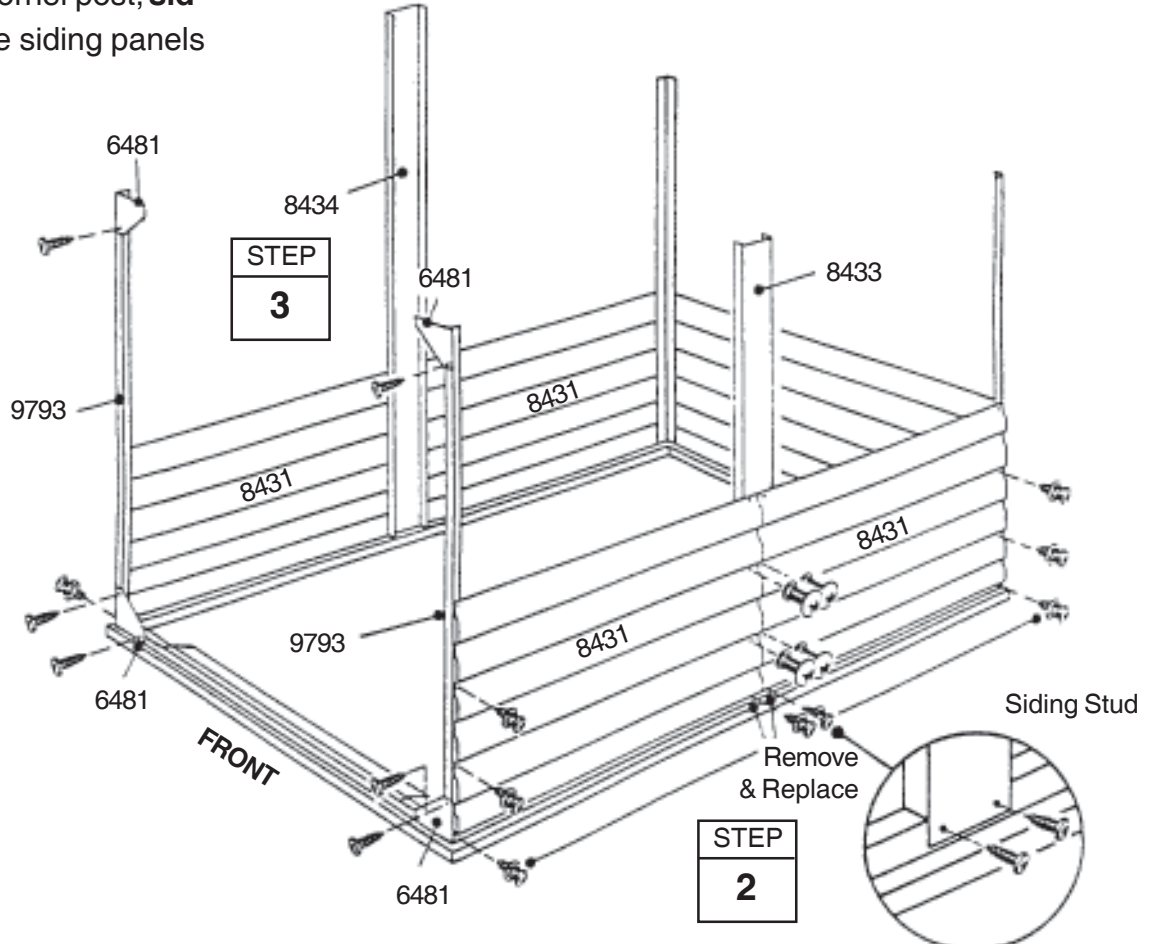
Always use 2nd set of holes from end of siding panel when attaching to corner post or stud.

NOTE

For left end door location, fasten siding studs as shown. For right end door location, reverse location of siding studs.

3 Fasten remaining corner post, **siding stud** and two side siding panels as in previous step.

STEP
1



Step 5

BS18

● Parts Needed For ● Headers/Frames/Jambs

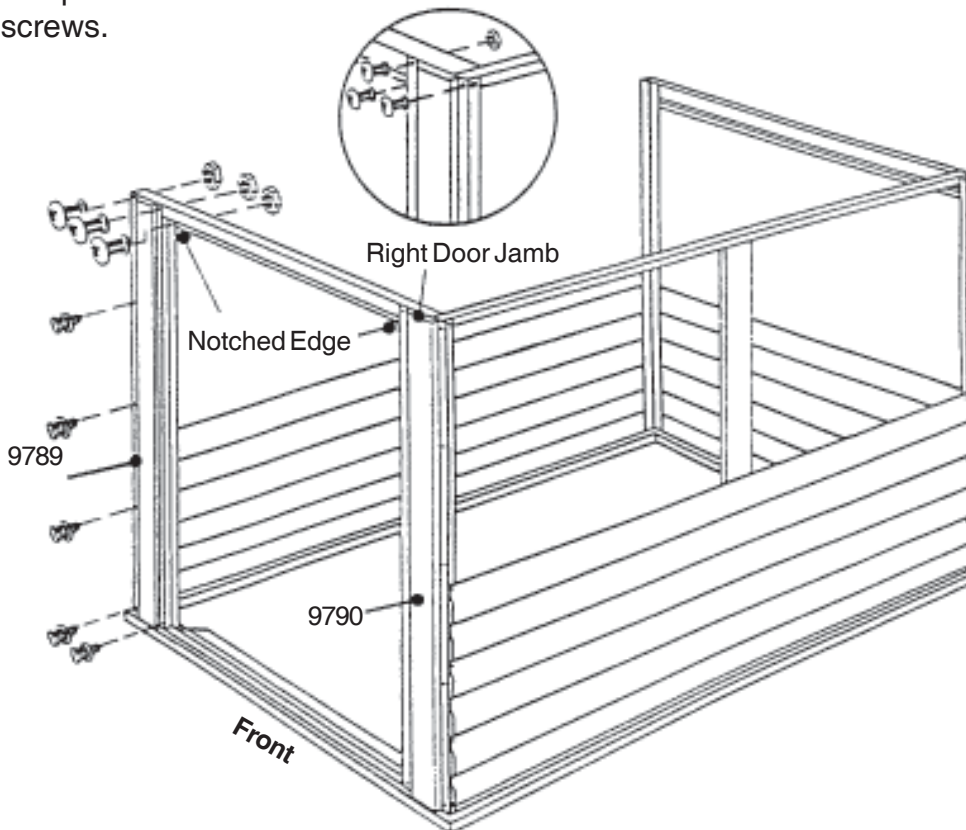
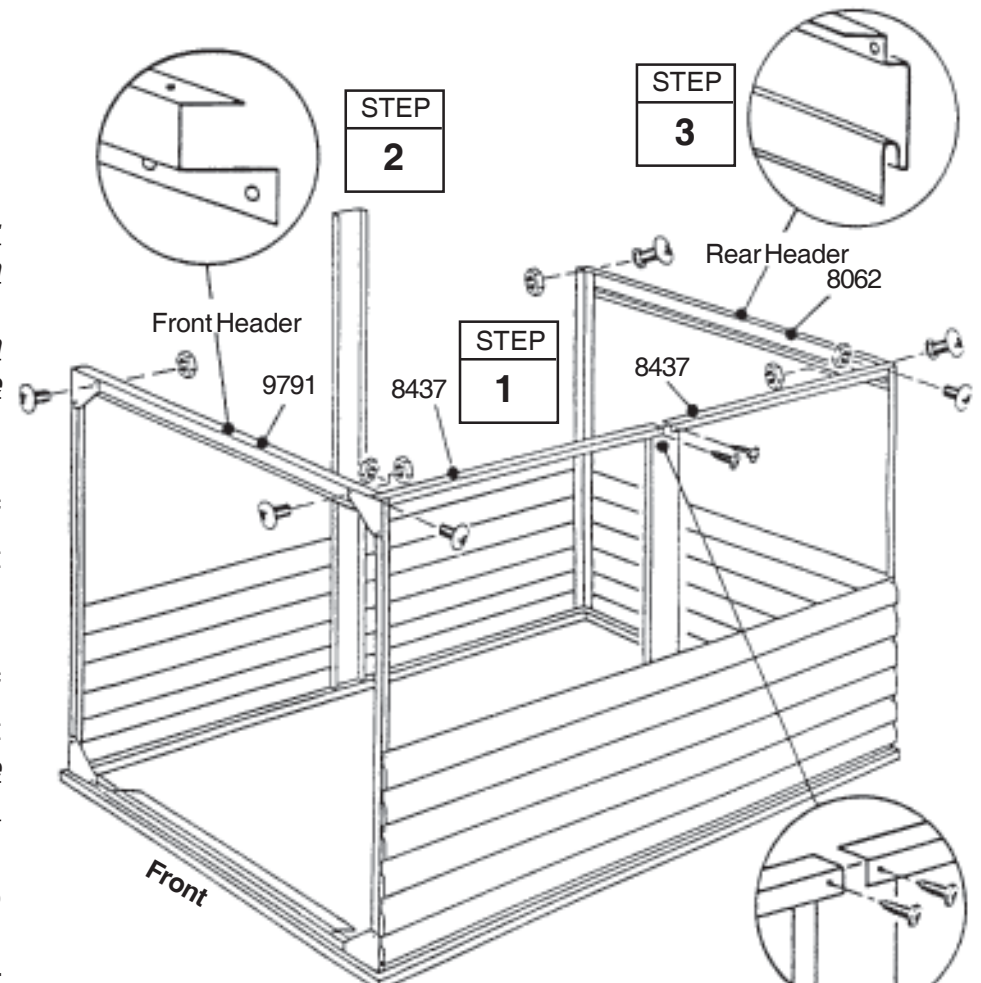
- 9791 Front Header (1)
- 8437 Side Eave Frame (2)
- 8062 Rear Header (1)
- 9789 Left Door Jamb (1)
- 9790 Right Door Jamb (1)

1 Fasten **side eave frames** behind top of corner post with a bolt and nut, and over siding stud using a screw, top leg facing inside building. **Note:** For left end door location, fasten side eave frames as shown. For right end door location fasten side eave frames on opposite side of building.

2 Fasten **front header** behind top of corner posts/gussets using one bolt and nut on each end.

3 Fasten **rear header** across top of corner posts using one bolt and nut on each end. *Note that side eave frames overlaps front & rear headers.*

4 Attach **right & left door jambs** to the front header using bolts and nuts, and to the corner posts and front floor frame using screws.



Step 6

BS19

● Parts Needed For ● Side/Rear Siding/Studs

- 8431 Side Siding (4)
- 8075 Rear Siding (1)
- 8067 Siding Stud (5)
- 8068 Siding Stud (4)

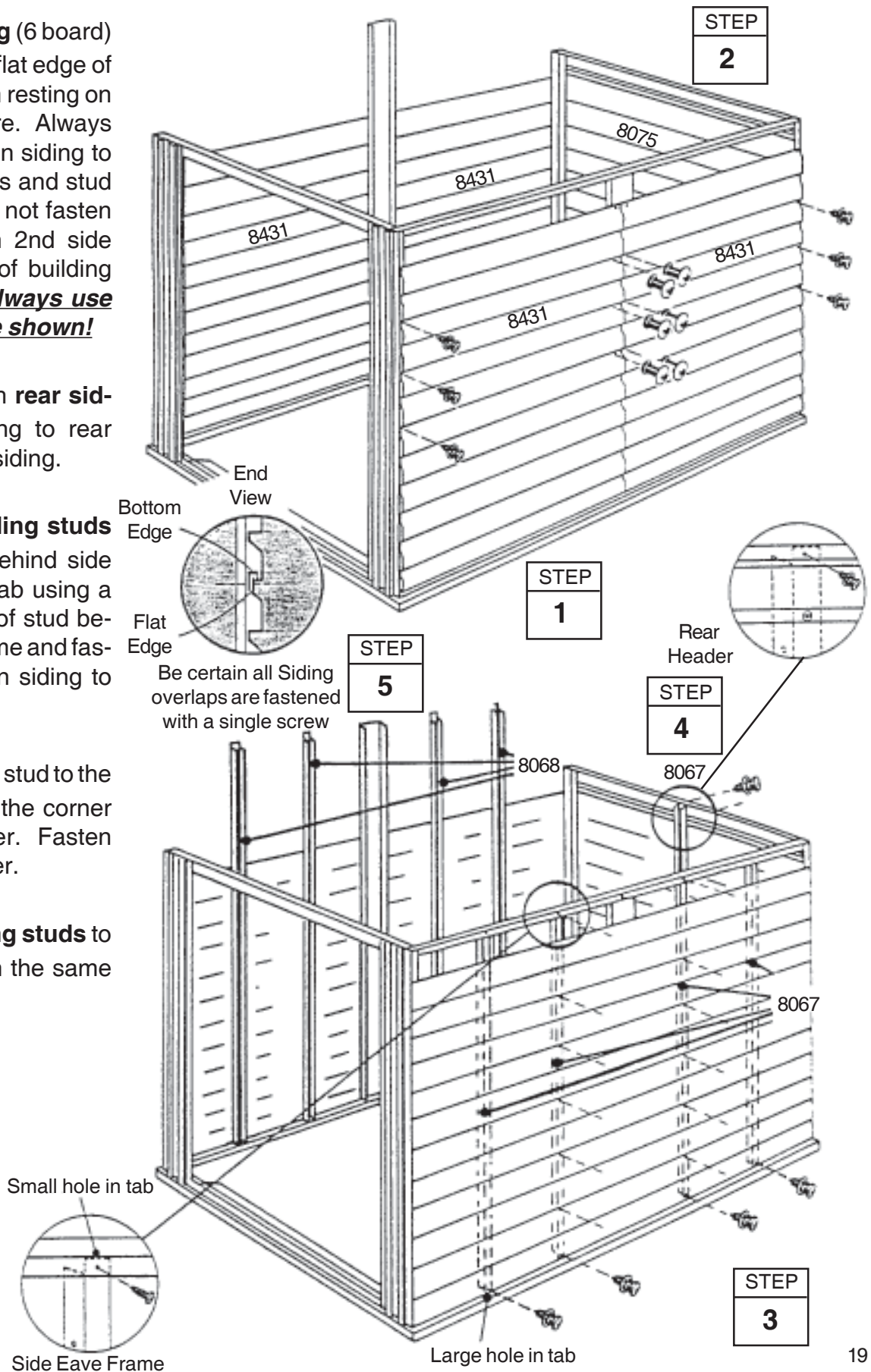
1 Position the **side siding** (6 board) to corner posts and stud, flat edge of siding upward and bottom resting on 1st side siding. See figure. Always follow this pattern. Fasten siding to corner posts using screws and stud using bolts and nuts. Do not fasten flat edge now. Position 2nd side siding on opposite side of building and fasten as before. ***Always use washers where they are shown!***

2 Repeat procedure with **rear siding** panel. Fasten siding to rear header to complete rear siding.

3 Position four short **siding studs** between corner posts, behind side eave frame, and fasten tab using a screw. Rest bottom tab of stud between siding and floor frame and fasten with a screw. Fasten siding to studs, as shown.

4 Fasten one short siding stud to the rear of building between the corner posts in the same manner. Fasten top tab behind rear header.

5 Position four long **siding studs** to the left side of building in the same manner using screws.



Step 7

BS20

● Parts Needed For ● Gables/Peak/Roof Frames

- 8061 Left Gable (1)
- 8060 Right Gable (1)
- 8438 Side Peak Frame (2)
- 8066 Roof Frame (4)
- 8435 Roof Frame (1)

NOTE

The gables are packed nested together and might be mistaken as one piece. Carefully separate them before continuing.

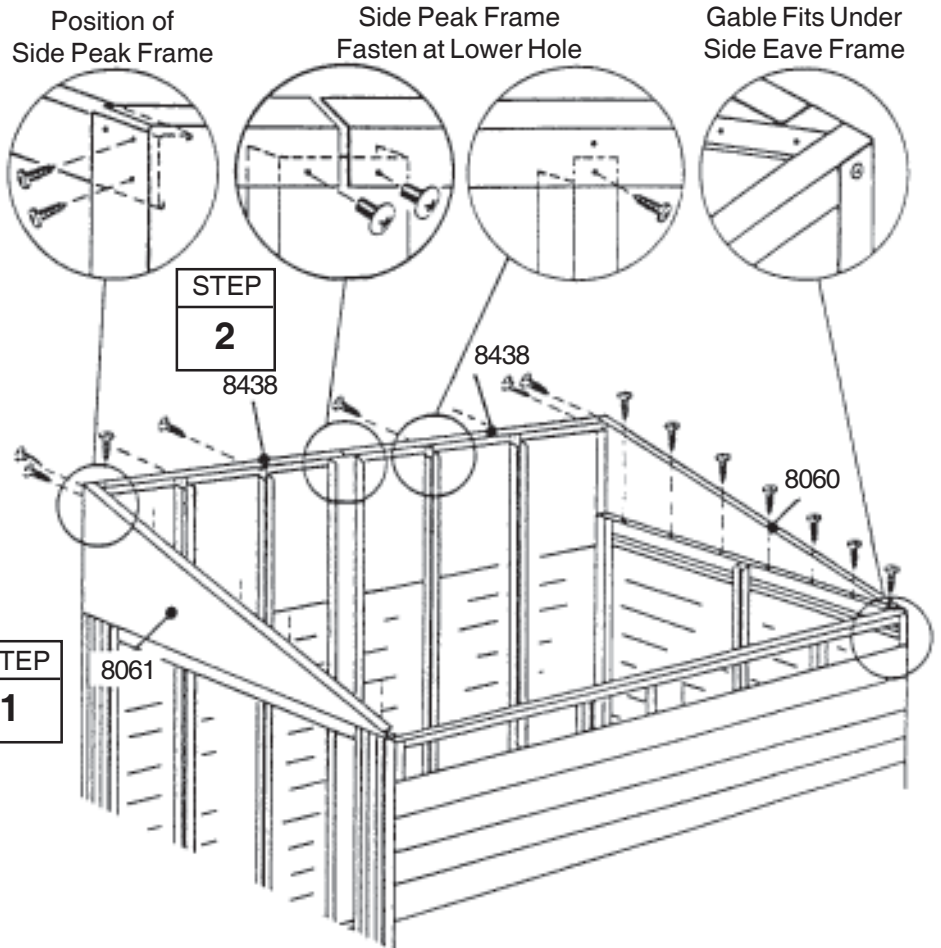
1 Lift and fasten a **left gable** on top of header, with lower leg under side eave frame at corner, using screws.

Repeat Step 1 with **right gable** for the opposite side of building.

2 Fasten **side peak frames** to the inside top corners of gables using two screws, top shorter leg facing inside building. Fasten opposite ends over siding stud at the lower hole using a bolt and nut. Fasten top tab of the siding studs to the lower hole in side peak frame using screws.

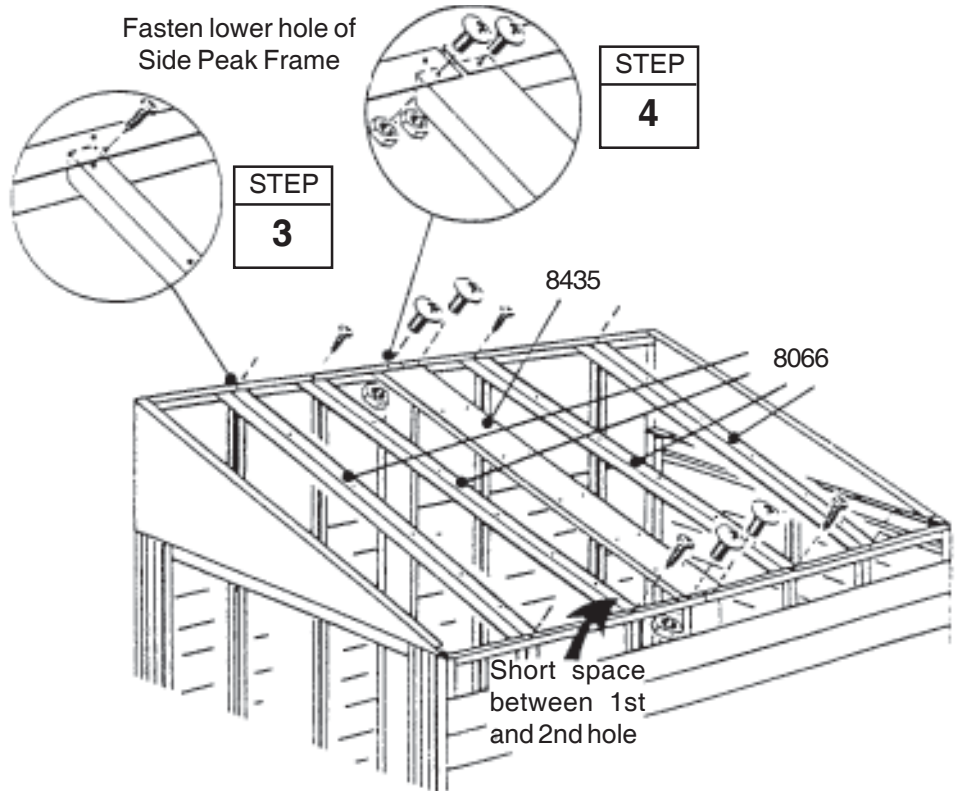
3 Position **roof frames** under side peak and eave frames. Be sure the end of frame with the shortest space between the 1st and 2nd hole is positioned at the lower side eave frames, and fasten using screws.

4 Position **roof frame** in the same manner at the middle of building and fasten using four bolts and nuts.



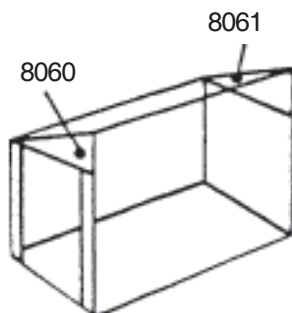
STEP
1

Fasten lower hole of
Side Peak Frame



STEP
3

STEP
4



Right End
Door Location

Step 8

BS21

● Parts Needed For ● Side Siding/Foam Tape

● 8431 Side Siding (4)

Installing the siding to the roof is best done with a step ladder.

NOTE

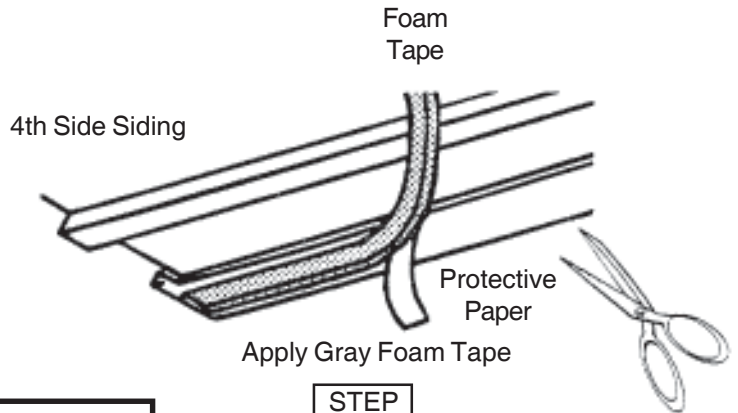
Measure the building diagonally again and make adjustments to make sure the building is square. This will make the siding fit better, and holes will align.

1 After the 3rd **side siding** is fastened to the 2nd, roll it over on the roof and fasten as before.

2 Apply **gray foam tape** along lower bottom edge of the 4th side siding by removing protective paper and pressing on edge of leg. Cut tape to proper length.

3 Fasten 4th side siding to the 3rd but do not fasten top edge at this time.

4 Apply **foil tape** to seam between siding, pressing into contour of siding from floor frame to top of roof.



STEP

2



Roll Side Siding over onto Roof

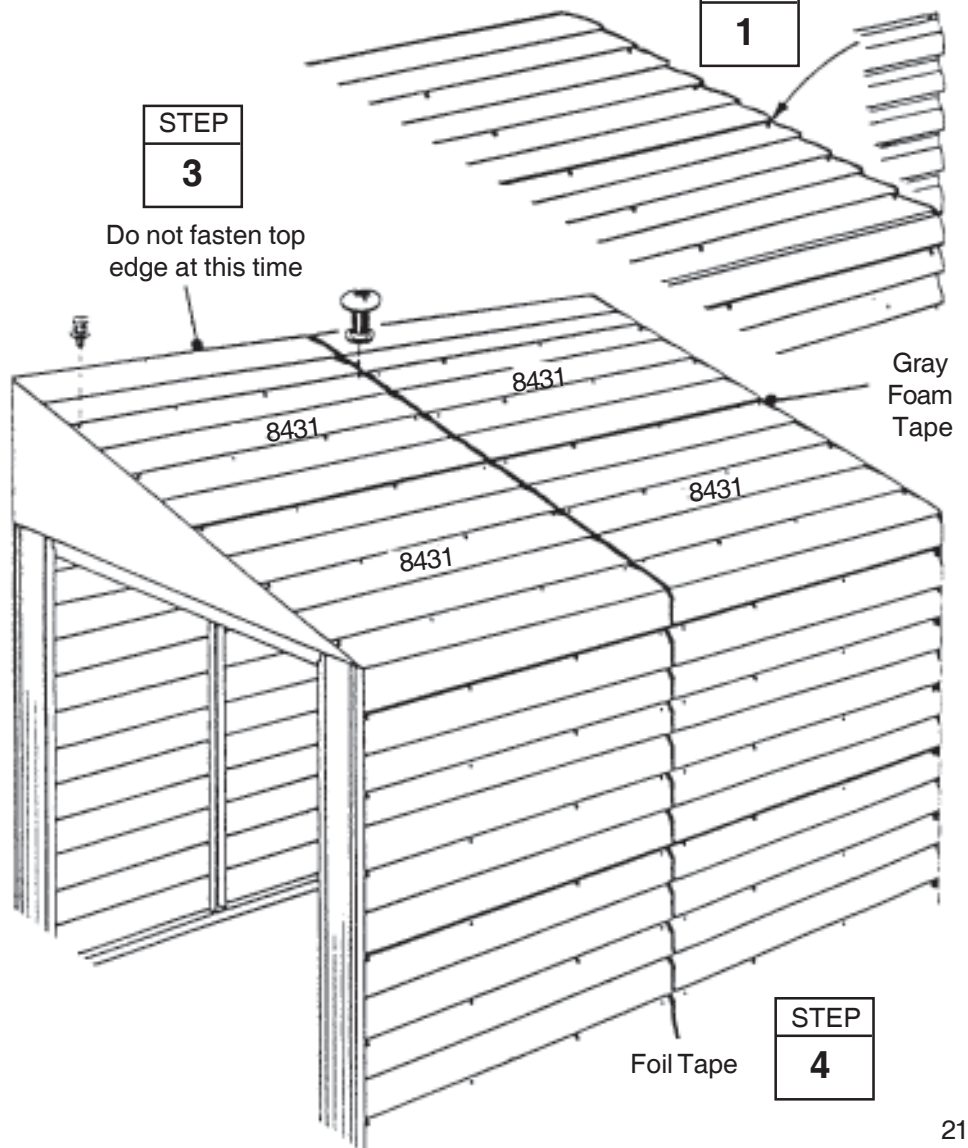
STEP

1

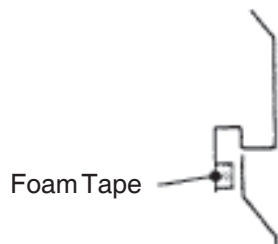
STEP

3

Do not fasten top edge at this time



End View



Step 9

BS22

● Parts Needed For ● Top Siding/Trim

- 8432 Top Siding (2)
- 8439 Peak Trim (2)
- 8442 Rear Siding Trim (1)
- 8078 Right Wall Trim (1)
- 8079 Left Wall Trim (1)
- 8076 Right Roof Trim (1)
- 8077 Left Roof Trim (1)
- 8440 Bottom Siding Trim (1)
- 8441 Top Siding Trim (1)

1 Fasten remaining **top siding** (5 board), to the top side of building.

2 Fasten **peak trim** to peak of roof using screws thru siding into frame.

3 Apply **foil tape** by overlapping siding by 1/2" (13 mm), pressing firmly into contour of siding, from top to bottom of gables. Rub for good adhesion. Do not cut tape, let roll hang free until ready to use on next panel. When complete, press opposite side down to gable. The purpose of this is to seal out the weather.

4 Apply foil tape to siding seam as before. Fasten **rear siding trim** to siding using screws.

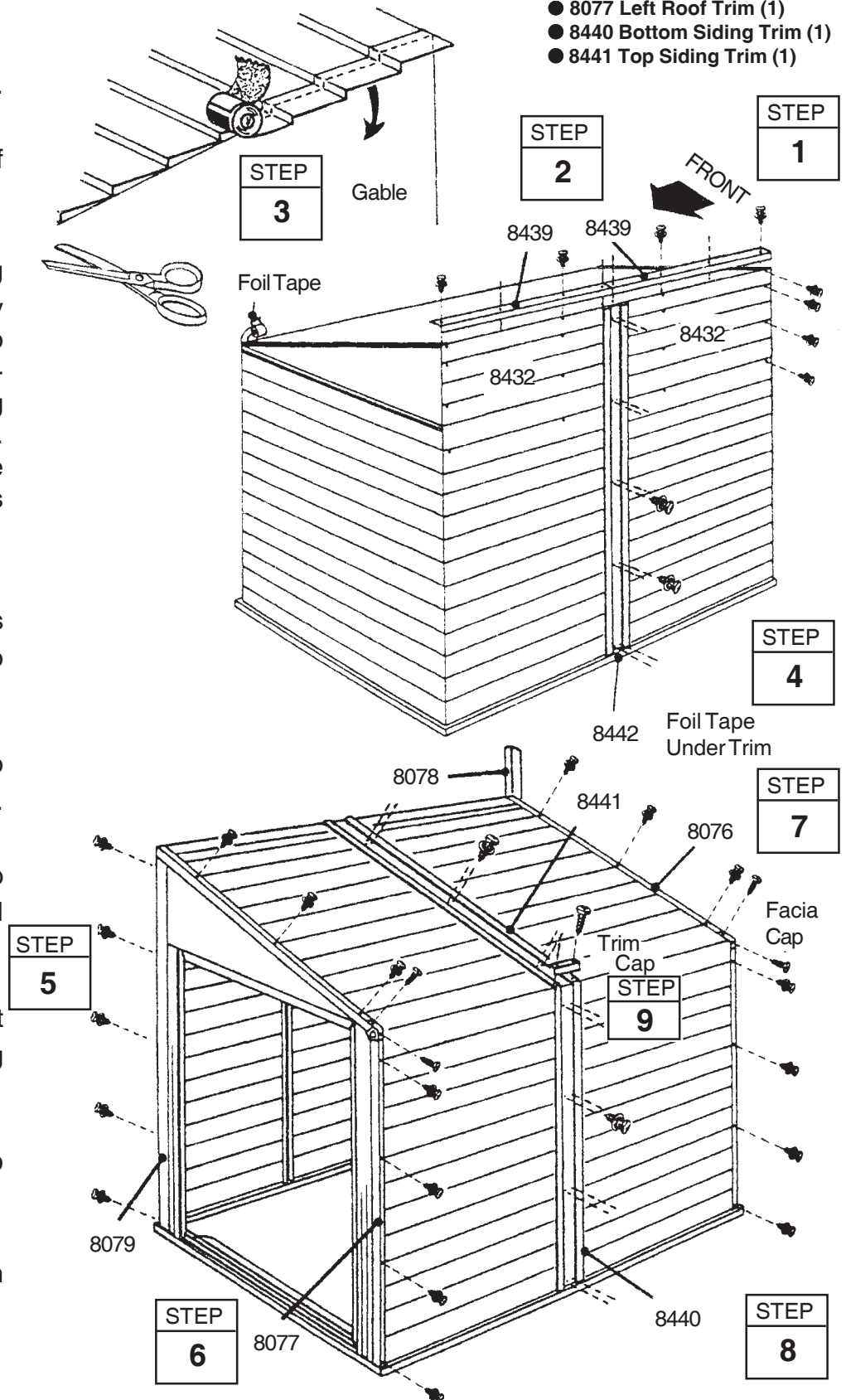
5 Fasten **right and left wall trim** to side corners of building using screws.

6 Fasten **right and left roof trim** to the ends of roof, overlapping wall trim, using screws.

7 Fasten right and left **facia caps** at the breaks in the roof trim, using screws.

8 Fasten **bottom siding trim & top siding trim** to siding using screws.

9 Fasten **trim cap** to seam between top and bottom trim using screws.



Step 10

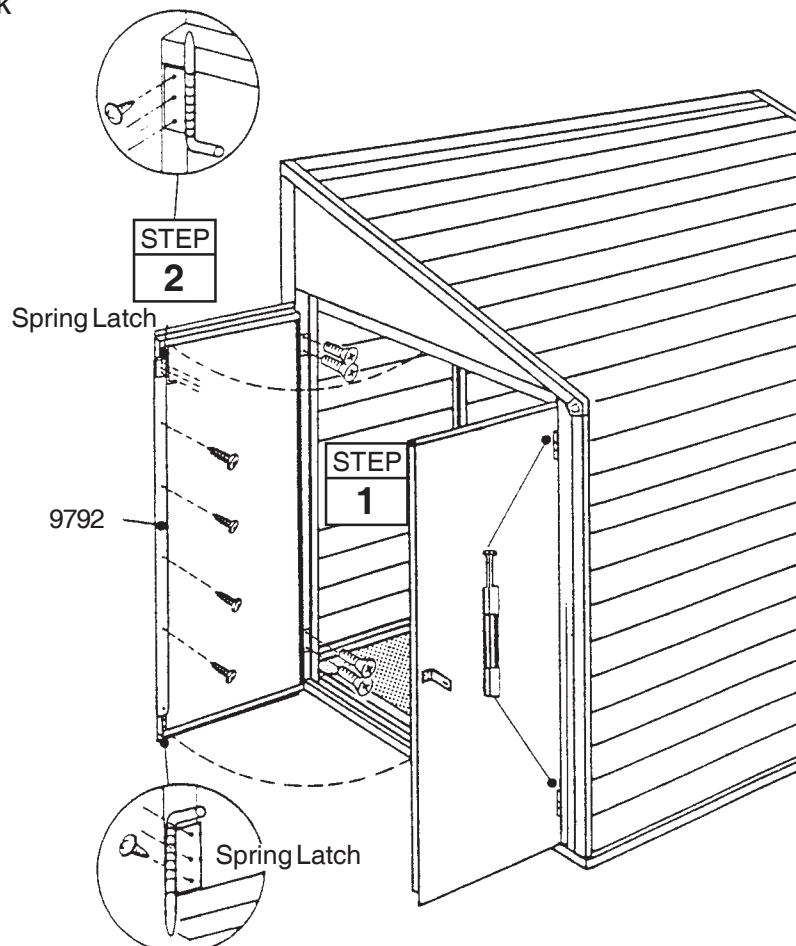
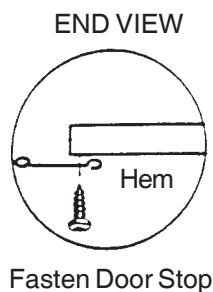
BR23

● Parts Needed For ● Door Stop

- Right Door Assembly (1)
- Left Door Assembly (1)
- 9792 Door Stop (1)

1 Position doors in corners of door opening as shown and fasten hinges with 7/16" (11 mm) flat head bolts and #6 hex nuts. **Be sure the heads on hinge pins are all installed toward top.**

2 Position **door stop** to left door, with tapered end up and hems toward inside of building, and fasten using four screws. Fasten a **spring latch** at the top and bottom of door stop, using three screws. When spring latch is engaged with hole in header or ramp, these will hold left door closed when not in use. The hasp and staple can be used to keep doors closed, or used with a padlock (not supplied) to lock doors.



Anchoring and Floor Frame

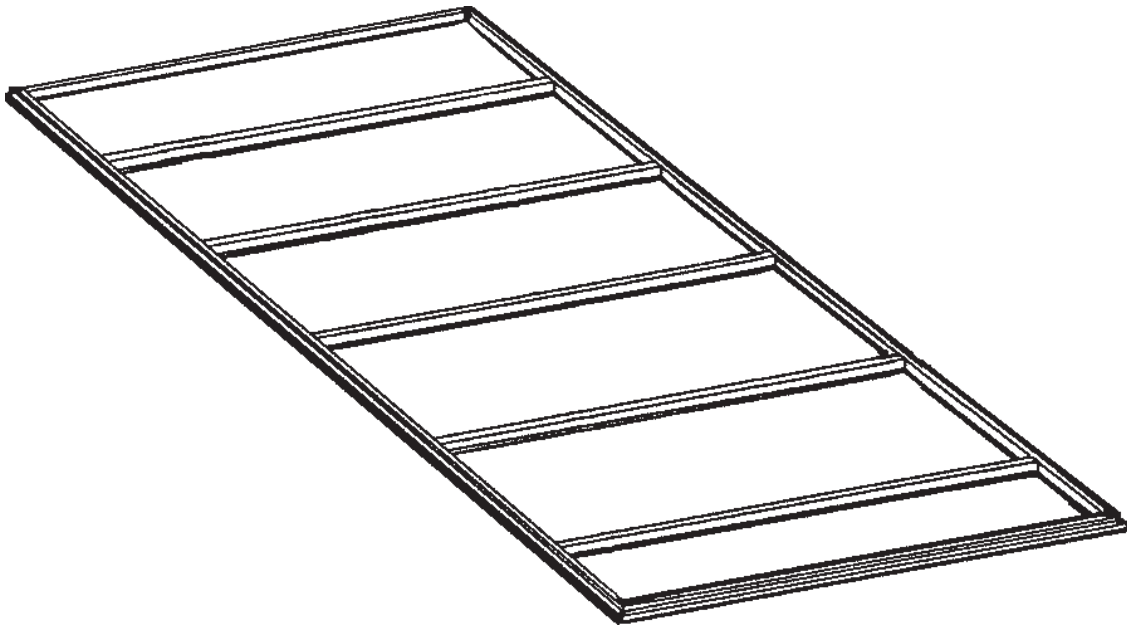
BR24

Anchoring

Anchor your building at this time.

Floor Frame

If you have purchased a Floor Frame Kit you need to install it at this time.



SOME FACTS ABOUT RUST

XA35hw

SOME FACTS ABOUT RUST

Rusting is a natural oxidizing process that occurs when bare metal is exposed to moisture. Problem areas include screw holes, unfinished edges, or where scrapes and nicks occur in the protective coating through normal assembly, handling and use. Identifying these natural rusting problem areas and taking some simple rust protection precautions can help to stop rust from developing, or stop it quickly as soon as it appears.

1. Avoid nicking or scraping the coating surface, inside and out.
2. Use all the washers supplied. In addition to protecting against weather infiltration, the washers protect the metal from being scraped by the screws.
3. Keep roof, base perimeter and door tracks free of debris and leaves which may accumulate and retain moisture. These can do double damage since they give off acid as they decay.
4. Touch up scrapes or nicks and any area of visible rust as soon as possible. Make sure the surface is free of moisture, oils, dirt or grime and then apply an even film of high quality touch-up paint.